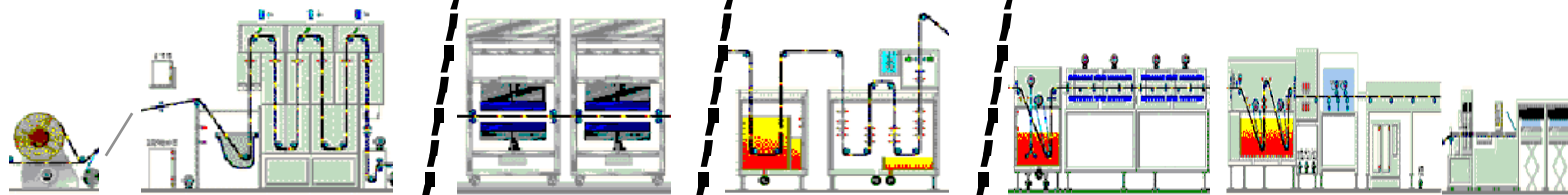


Green Process for Etchant Regeneration of Shadow Mask Production Process

with LG Micron



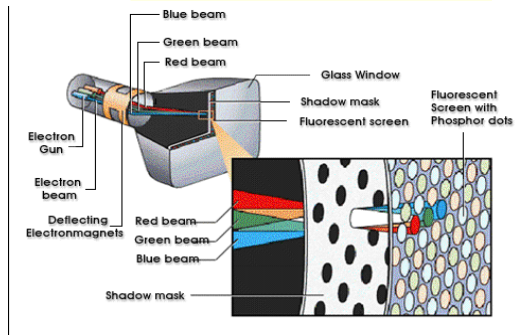
Process Flow

Cleaning & PR Coat

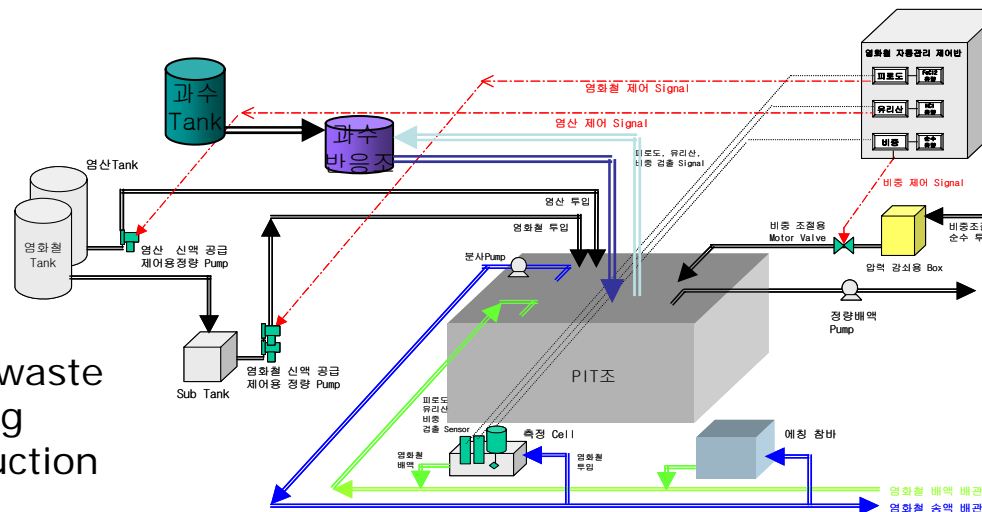
Expose

Develop

Etching



영화철 자동관리 System 설비 구성도



● Goal

- Regenerate and recover the waste etchant generated from etching process in shadow mask production process.

● What we have done

- Develop GRS(Green Recycle System) based on Fenton oxidation mechanism.
- Increase the reaction yield from 40% to 60% by process improvement